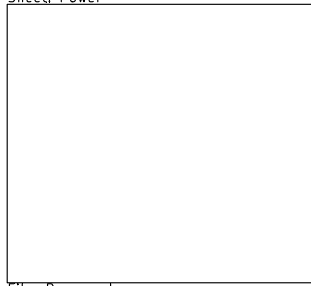
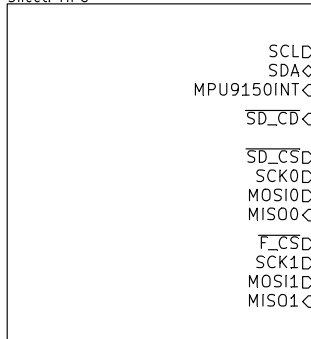


Sheet: Power



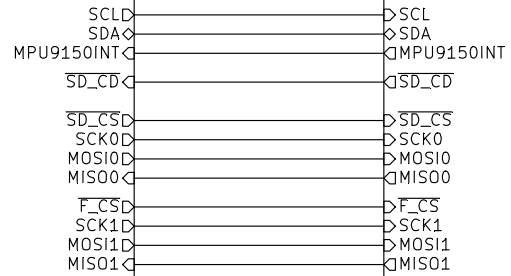
File: Power.sch

Sheet: MPU



File: MPU.sch

Sheet: Sensor



File: Sensor.sch

**T-4**

File: LPCU37\_Logger.sch

Sheet: /

**Title: LPC11U37\_Logger**

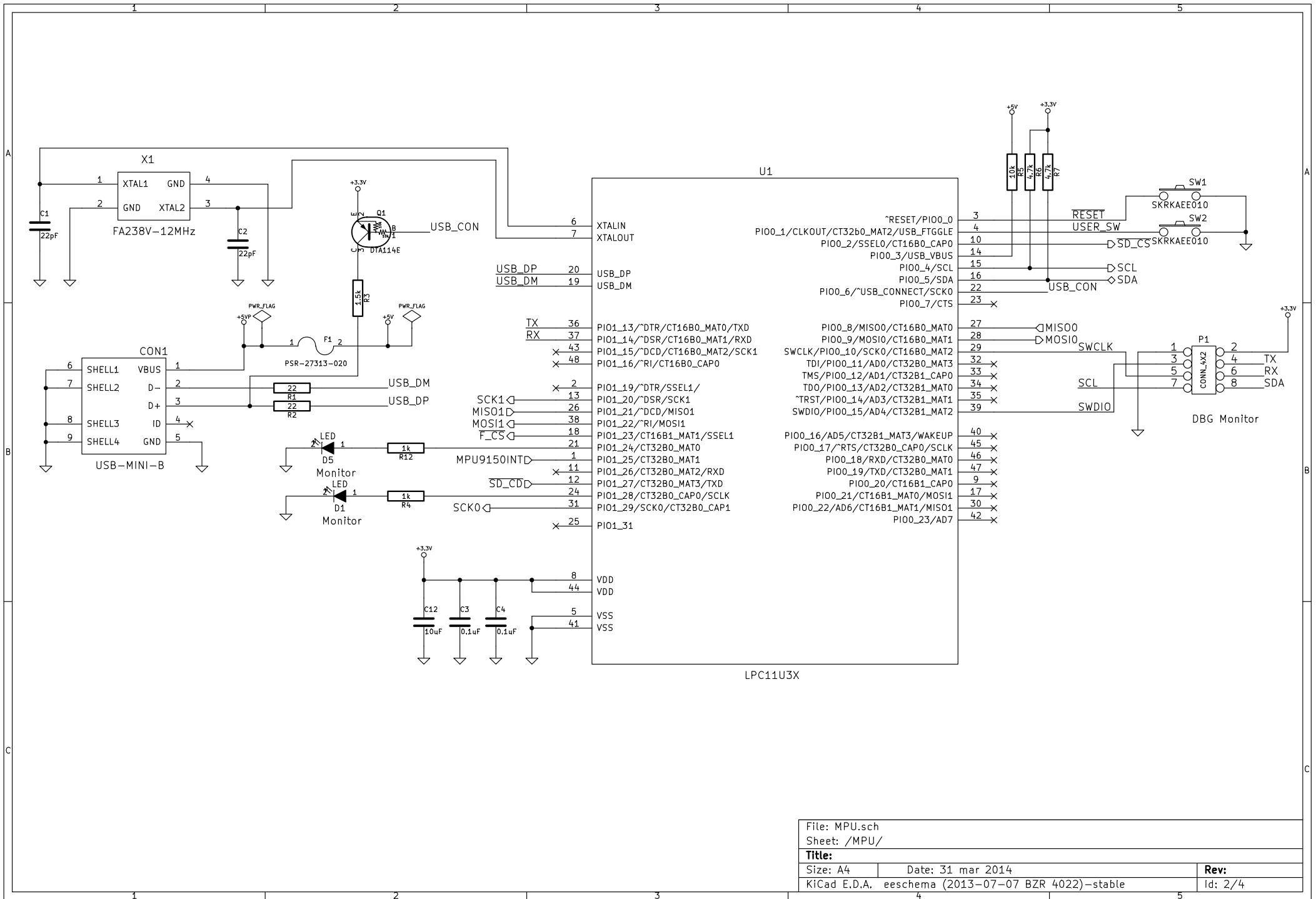
Size: A4

Date: 31 mar 2014

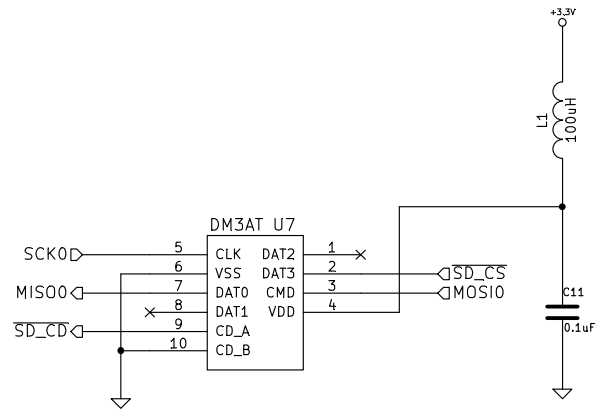
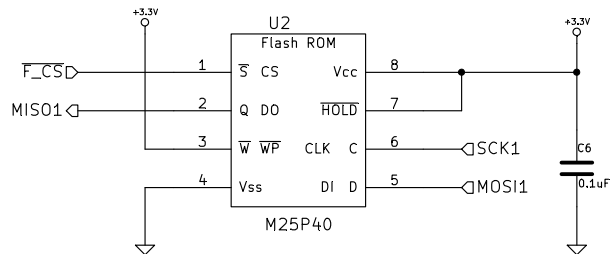
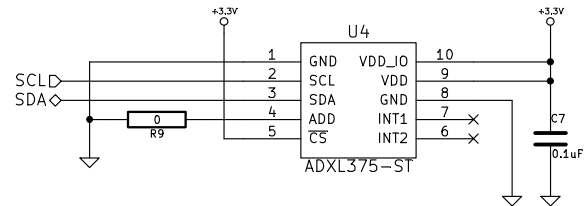
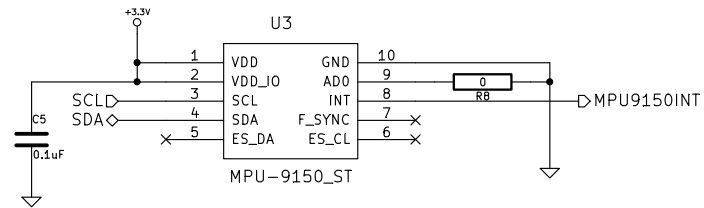
**Rev: 1.0**

KiCad E.D.A. eeschema (2013-07-07 BZR 4022)-stable

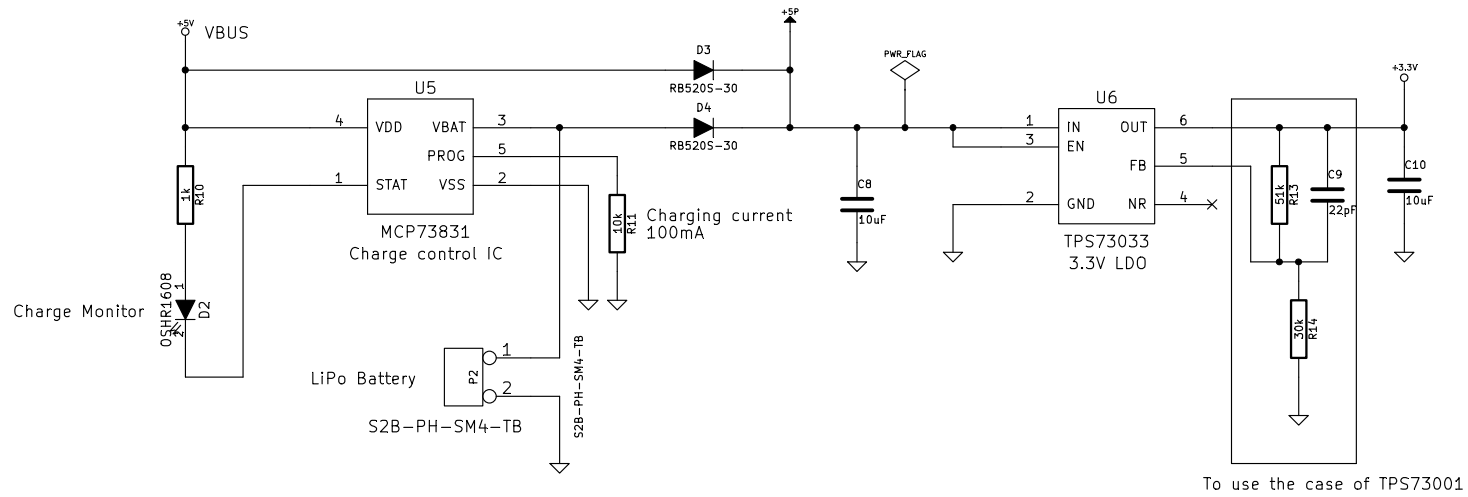
Id: 1/4



File: MPU.sch	
Sheet: /MPU/	
<b>Title:</b>	
Size: A4	Date: 31 mar 2014
KiCad E.D.A. eschema (2013-07-07 BZR 4022)-stable	
Rev:	Id: 2/4



File: Sensor.sch		
Sheet: /Sensor/		
<b>Title:</b>		
Size: A4	Date: 31 mar 2014	Rev:
KiCad E.D.A. eschema (2013-07-07 BZR 4022)-stable		Id: 3/4



File: Power.sch		
Sheet: /Power/		
<b>Title:</b>		
Size: A4	Date: 31 mar 2014	Rev:
KiCad E.D.A. eeschema (2013-07-07 BZR 4022)-stable		Id: 4/4